

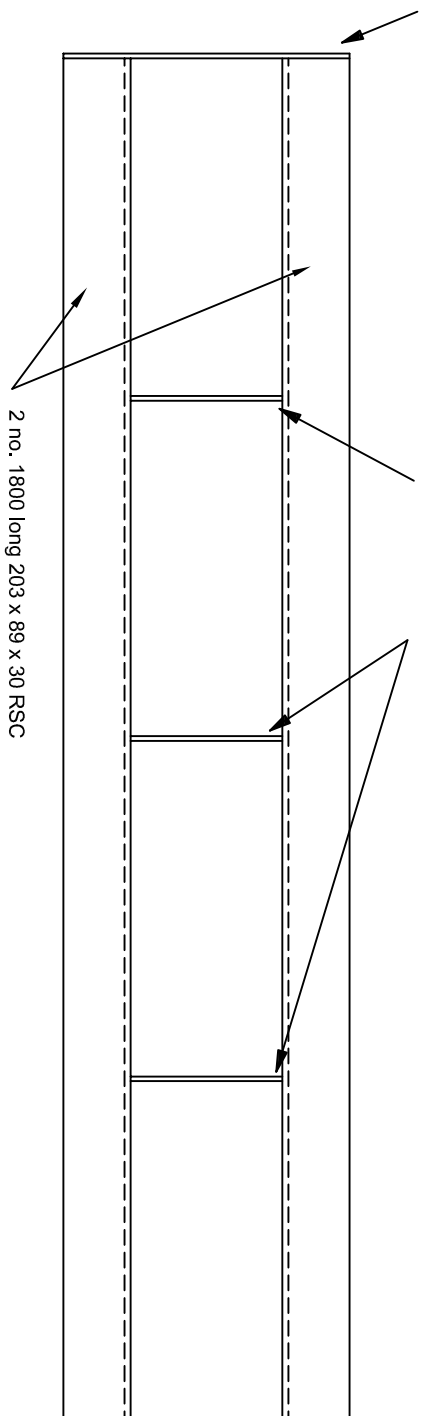
**DETAIL OF SUPPORT BEAM**

203 x 378 x 6 thick steel end plate

3 no. 203 x 200 x 6 thick steel plate stiffeners

203 x 378 x 6 thick steel end plate

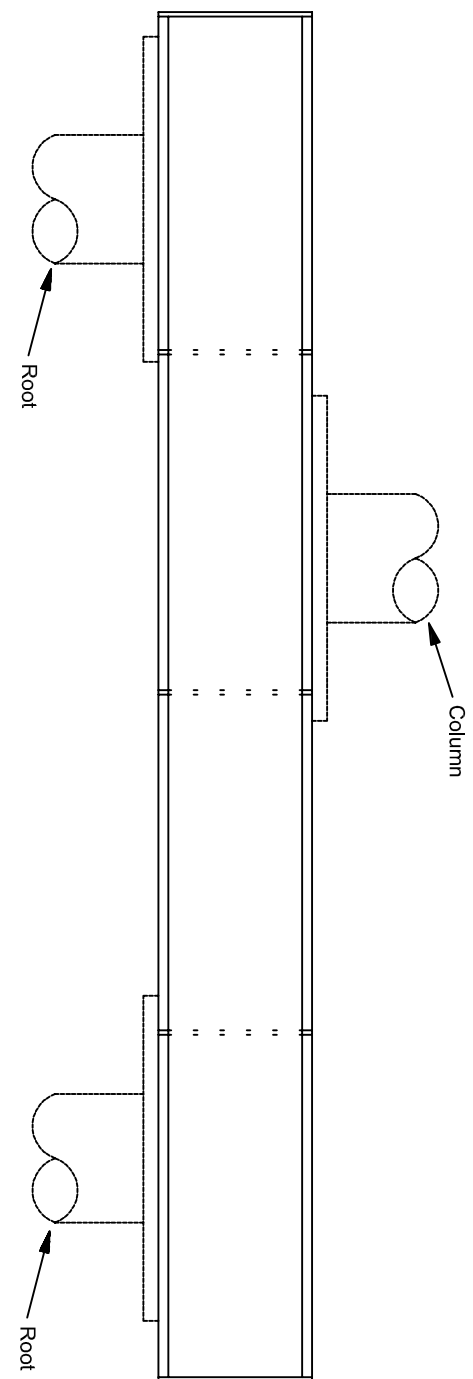
**PLAN**



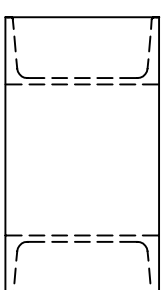
**DETAIL OF SUPPORT BEAM**

**DETAIL OF SUPPORT BEAM**

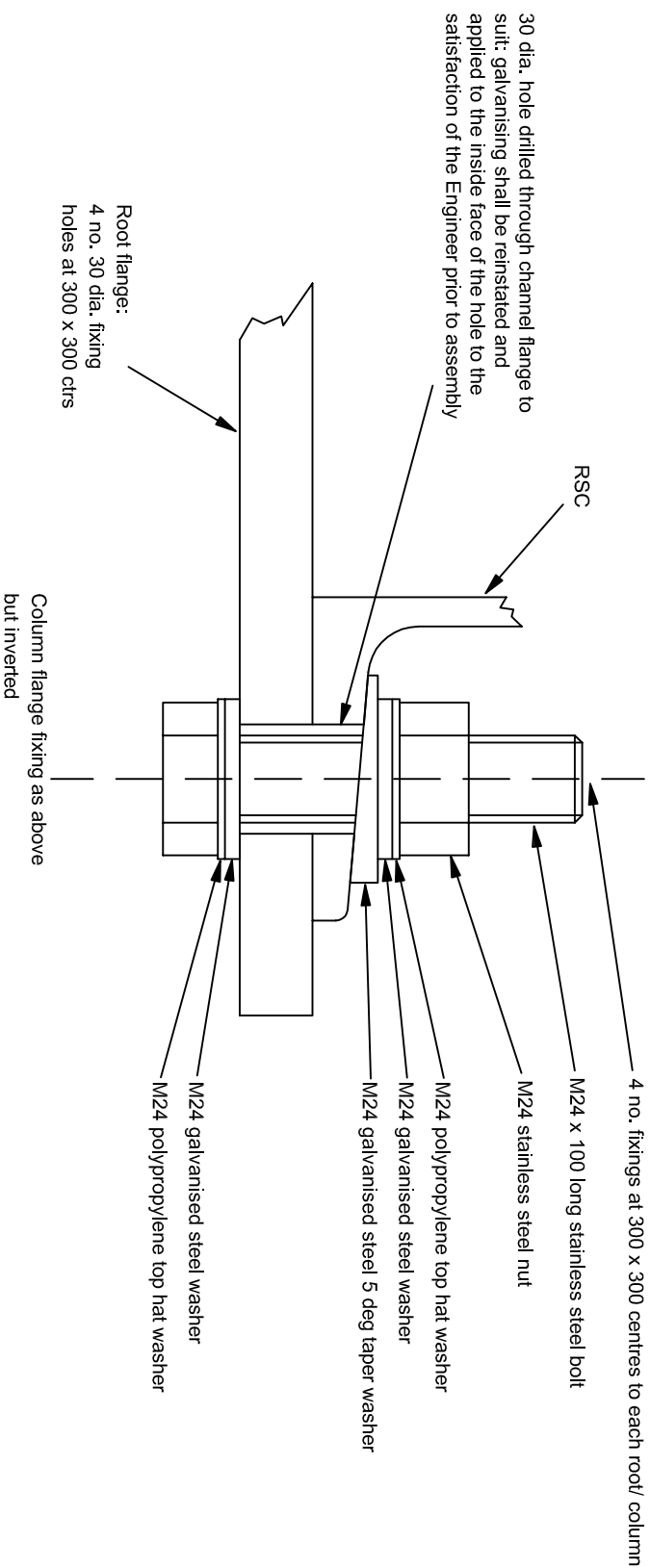
**ELEVATION**



**END ELEVATION**



**DETAIL OF FIXINGS**



**Notes :-**

- All dimensions in millimetres unless otherwise stated
- Steel plates and rolled steel sections shall be to BS EN 10025 grade S275J2G3
- After fabrication the support beams shall be galvanised
- The support beams shall be fabricated with continuous 6mm fillet welds
- Stainless steel bolts and nuts shall be grade A2-70
- The support beams shall be coated with bituminous solution or approved similar material to a thickness of 100 microns: This coating shall be applied also to the column and root fixings after installation
- The support beam has been designed to be used with two roots as shown: although the roots may be fixed in any position along the support beam, the lamp column must be located between the roots. Any variation to this requirement or any other details shown on this drawing must be approved by the Engineer
- Dimension tabled for foundations are for guidance only. The Contractor is responsible for designing the foundations suitable for the proposed lighting columns and for the ground conditions encountered



SCHEME  
STANDARD DETAIL SHEETS

DRAWING  
SUPPORT BEAM  
TO LAMP COLUMNS

This detail is controlled by Birmingham City Council. Email - Transport.Projects@Birmingham.gov.uk



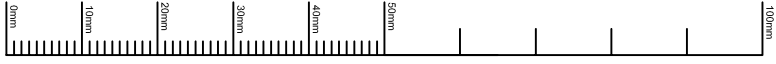
FS 506677

DATE	REV.	REVISIONS	DRN	PM
2013	D	DETAILS & FRAME AMENDED	DH	PP
2010	C	NOTES AMENDED	CCH	MM
2007	B	BORDER & TITLE AMENDED	-	JN
2002	A	BORDER & TITLE AMENDED	-	AJC
2001	-	ORIGINAL DRAWING CREATED	JJ	DJ

DATE	REV.	DESIGNER	PM	PP	REVISION
DH	03/12/13	TE	03/12/13	PP	03/12/13

DWG: No  
HW/13.08



A3

1 2 3 4 5 6 7 8