

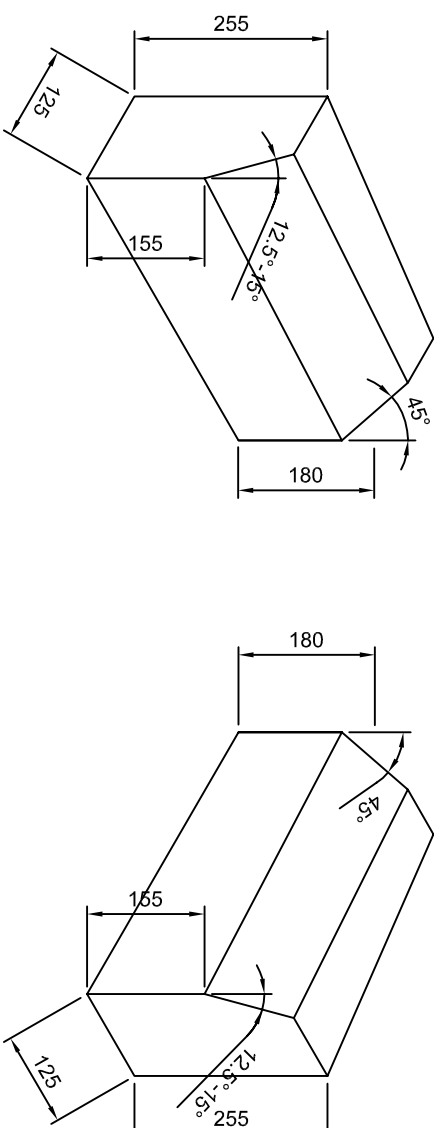
NOTE: Quadrants in these sizes may have the following profile:  
 (1) bullnosed type QBN, to match corresponding kerb type BN; or  
 (2) half battered type QHB to match corresponding kerb types HB2 and HB3; or  
 (3) 45° splayed type QSP to match corresponding kerb type SP.

**STANDARD KERBS**

Notes :-

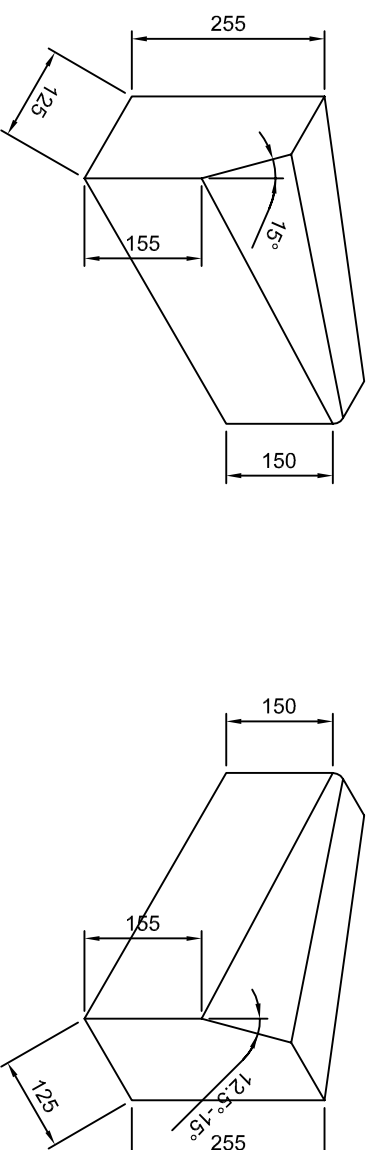
1. Kerbs to be to BS EN 1340.
2. All dimensions in mm.
3. See Standard Detail Sheet HW/11.02 for typical installation details

**TRANSITION AND TAPER KERBS**



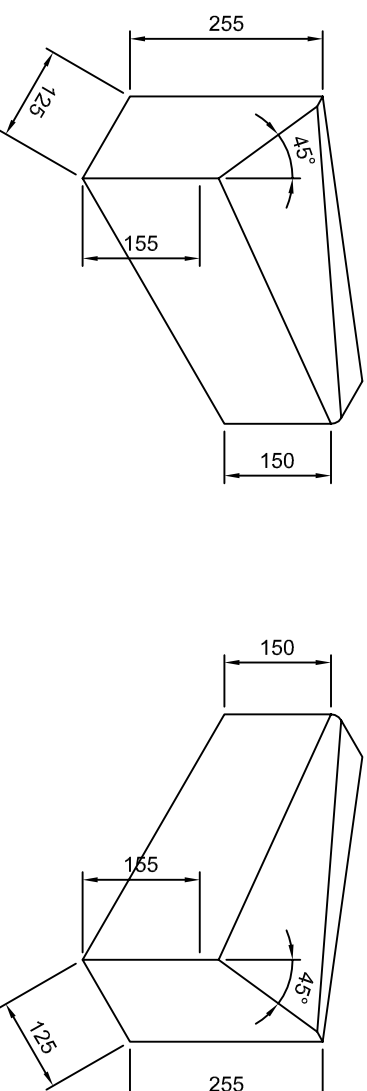
Left hand : Type TL  
 NOTE : For use with kerb types SP and HB  
 Transition kerb : half battered to 45° splay

Right hand : Type TR



Left hand : Type DL1  
 NOTE : For use with kerb types BN and HB  
 Dropper kerb type 1 : half battered to bullnosed

Right hand : Type DR1



Left hand : Type DL2  
 NOTE : For use with kerb types BN and SP  
 Dropper kerb type 2 : 45° splay to bullnosed

Right hand : Type DR2



SCHEME  
 STANDARD DETAIL SHEETS

DRAWING  
 KERB TYPES



FS 506677

This detail is controlled by Birmingham City Council. Email - Transport.Projects@Birmingham.gov.uk

DATE	REV.	REVISIONS	DRN	PM
2013	D	DETAILS & FRAME AMENDED	DH	PP
2009	D	NOTES AMENDED	CCH	MM
2004	C	NOTES AMENDED	-	AJC
2003	B	NOTES AMENDED	-	BSK
2002	A	BORDER & TITLE AMENDED	-	AJC
2000	-	ORIGINAL DRAWING CREATED	SRE	AJC

DATE	REV.	REVISIONS	DRN	PM
03/12/13	TE	DESIGNER	PP	PP
03/12/13	PP	DESIGNER	PP	PP
03/12/13	PP	DESIGNER	PP	PP

GENERAL  
 DRAWING STATUS: E  
 SCALE: NTS  
 DWG. No: HW/11.01

1 2 3 4 5 6 7 8

A B C D E F

A B C D E F